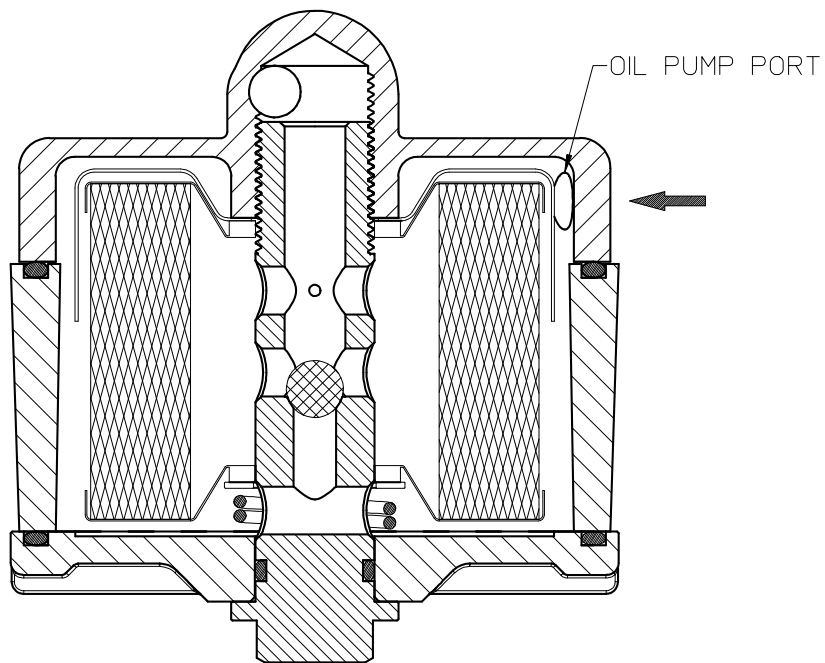
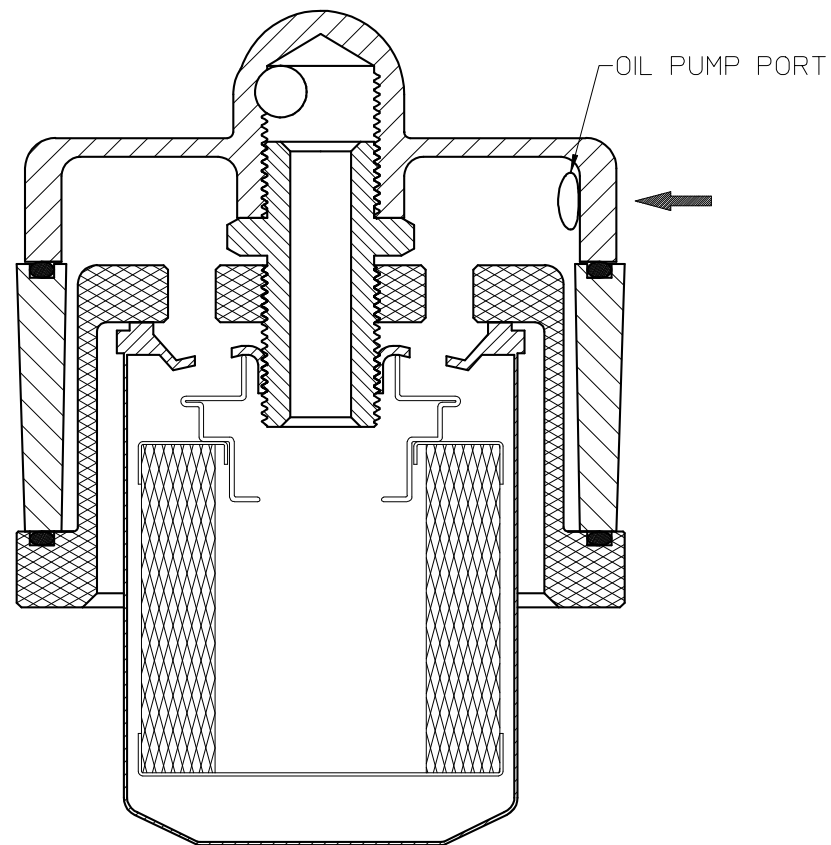


SYM	REVISIONS	APPROVED	DATE
01	AS DESIGNED	<i>Bergmen</i>	10-03-05

Stock Filter Assembly



Spin-On Filter Adaptor Kit



BERGMEN ENGINEERING, INC. PROPRIETARY
 THIS DOCUMENT CONTAINS CONFIDENTIAL AND PROPRIETARY
 INFORMATION THAT IS THE PROPERTY OF BERGMEN ENGINEERING, INC.
 THAT MAY NOT BE DISCLOSED TO OR DUPLICATED FOR
 OTHERS EXCEPT AS AUTHORIZED BY BERGMEN ENGINEERING, INC.

Dan Bergmen DRAWN BY	10-03-05 DATE	CROSS-SECTION- STOCK VS SPIN-ON TITLE	BERGMEN ENGINEERING, INC.
Dan Bergmen ENGINEER	10-03-05 DATE		
RELEASE TO PROD.	DATE	NEXT ASSEMBLY	PART NUMBER
SUPERSEDES DWG.	DATE	FINISH N/A	SCALE NONE